



/// V <sub>Cs</sub>	A
---------------------	---

01

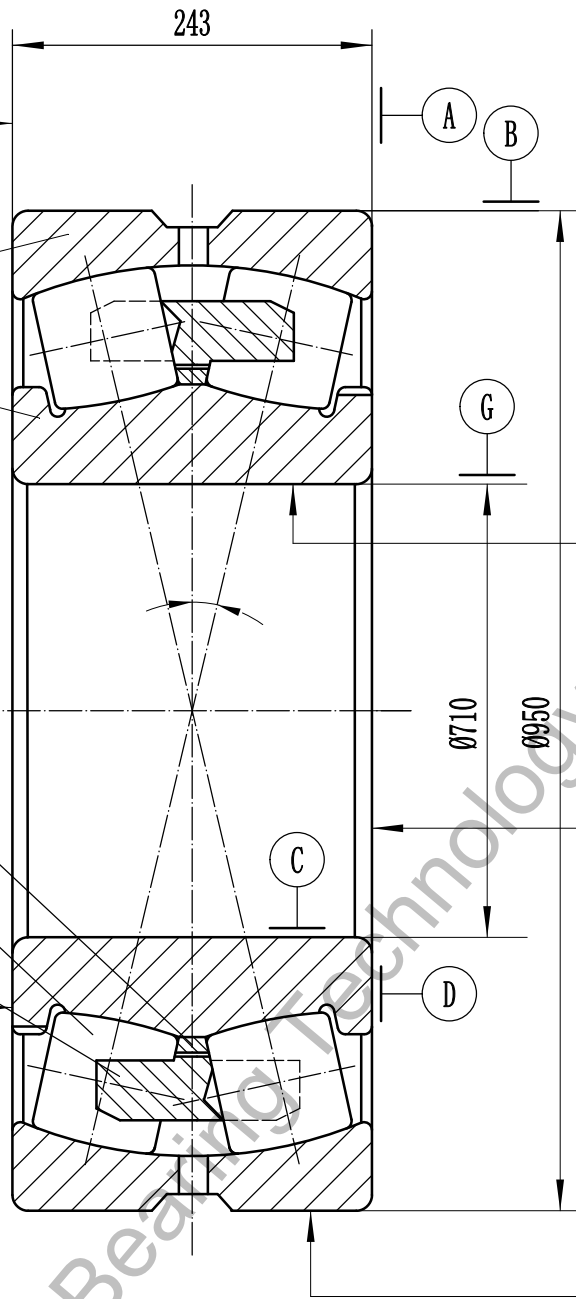
02

62

04

07

/// V <sub>Bs</sub>	D
---------------------	---



⊖	V <sub>dsp</sub>	
⊖	V <sub>dmp</sub>	
⚡	K <sub>ia</sub>	B

⚡	S <sub>d</sub>	G
---	----------------	---

⊖	V <sub>Dsp</sub>	
⊖	V <sub>Dmp</sub>	
⚡	K <sub>ea</sub>	C
∇	S <sub>D</sub>	A

- 1、Tolerance of running accuracy are according to relevant state standard;
- 2、The value of the basic group of radial clearance:min \*\*\*\* max \*\*\*\*;
- 3、Rated load: Cr= \*\*\*\* kN Cor= \*\*\*\* kN.

62	Guide ring		Steel 20—GB/T699			
07	Cage		Brass CuZn39Pb2—EN 1652:1997			
04	Roller		Steel 100CrMnSi6-4—ISO 683-17:1999			
02	Inner ring		Steel 100CrMnSi6-4—ISO 683-17:1999			
01	Outer ring		Steel 100CrMnSi6-4—ISO 683-17:1999			
No.	Designation	Qty	Material	unit	toatl	Remark
				Weight (kg)		

Luoyang JCB Bearing Technology Co., Ltd  
 Contact information  
 Company Address : No. 285, Fenghua road,  
 Luoyang, Henan, China.  
 Postal code : 471000  
 Phone :86-379-68611678  
 Fax : 86-379-68611679  
 E-mail: sales@jcb-bearing.com  
 Reserved E-mail: sales@sphericalrollerbearing.net  
 Website: www.jcb-bearing.com  
 www.sphericalrollerbearing.net

### Spherical Roller Bearing

249/710 CA/W33

			Weight(kg)	Scale
S				—
Total page 5			Page No. 1	